

INSTRUCTION MANUAL

DUAL POWER REGULATOR for EXTREME 3D FLYING

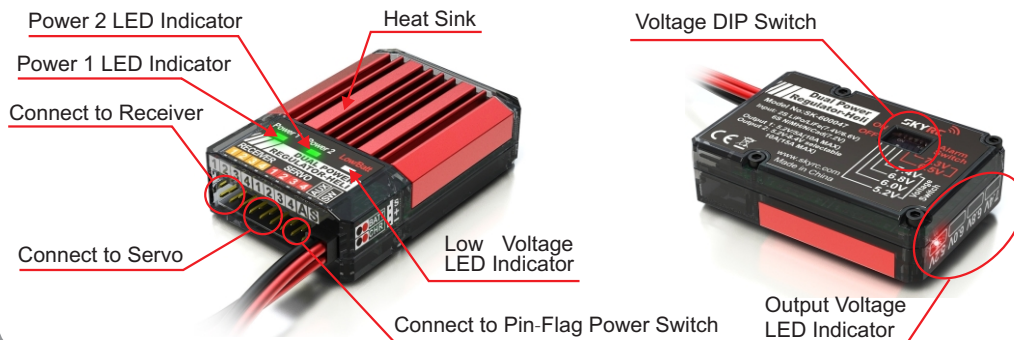
INTRODUCTION

Thank you for purchasing SKYRC product.

SKYRC Dual power voltage regulator(SK-600047) is twin linear regulator which could supply stable voltage and current to the servo directly. Due to this feature, it could meet the request of high-class users who play with utmost Extreme 3D and F3C.

At present, Extreme 3D flying is more and more popular, as a result, the request for high performance servo is higher and higher. As we know, one of the factors which influence the performance of servo is stable power supply and transient response of the entire power system. Basing on this recognition, we develop this regulator. We also add low voltage alarm function to this item to guaranty user's safety. When you use this regulator, it can supply stable power to CCPM servo channel and it can also avoid external noise caused by reverse electromotive force of CCPM servo due to the direct connection of the servo and RX and make the gyro work properly.

It has been tested under different kinds of working conditions and after times of improvement, now it is able to work under any extreme operating environment. And we are sure you will have a wonderful experience when you use it.



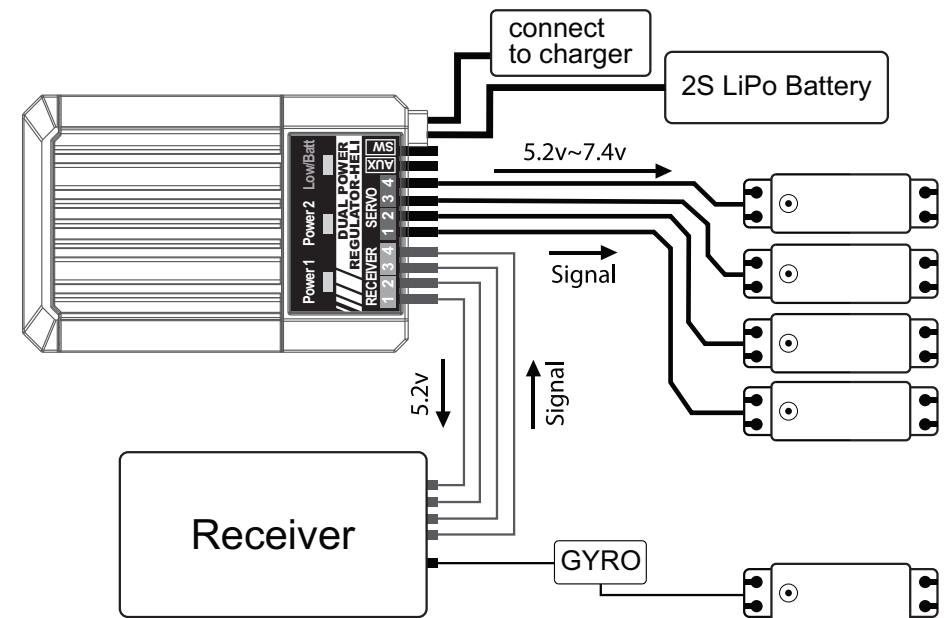
FEATURES

- As DC-DC voltage regulator of linear type is very popular at present, this BEC is also linear regulator with twin channel. Compared with Switching-type, it will not make switching noise and ripples. What's more, it could offer stable voltage and current. When radical load change happens, it could response rapidly. In this case, it is able to work with PPM, PCM but also 2.4G system.
- During extreme 3D and F3C flight the current can reach to 8A. The traditional method is battery supply power to servo through a receiver. In this case, you could not make full effect of the servo. To let the servo work effectively, we designed this regulator which is applied with reboost power bus to supply power to servo directly
- And according to the traditional way, two same regulators will be packed in one case and the performance of the electronics, like servo, ESC, gyro can not be fully performed. To improve this, we use twin output design one is for CCPM servo and the other is for RX and gyro. The circuit of servo controls the power and responsibility while the circuit of RX and gyro controls the voltage stability and noise-free. You have five choices of the output voltage 5.2V, 6.0V, 6.8V, 7.4V, 8.4V(Bypass) which can be set up by DIP switch. As this parameter is stored in it, and extra voltage measurement is not needed.

- We add Low Voltage alarm to this item and you could choose to use it or not. The voltage which could be setup is 6.5V or 7.3V due to the characteristics of the battery.
- When the battery voltage is below the regulator setup voltage, the Low Voltage Alarm will response, The LOW/BATT LED and the buzzer will begin to work at the same time. We have also develop an external LED board with Pin-Flag power switch which can be mounted to the fuselage to perform the Low Voltage alarm. The high power LED on the external board will be blinking when the voltage is low. So it is possible to immediately recognize low voltage alarm condition even in day flight.
- There are input/output ports for four channels as three servos for CCPM and one for throttle.
- It is supported to use 7.4V HV servo. If output voltage is setup to 7.4V or 8.4V(Bypass), it is able to achieve more stable power supply and transient response than direct connecting 7.4V battery scheme.
- Charging and voltage checking cable is integrated for your convenience. You can charge the battery through that cable.
- Dual battery input is supported for advance experience user. If additional battery is connected with charging and voltage checking cable, two battery powers can be supplied to the regulator in parallel. (Both battery must be identical, same chemistry, voltage and capacity).

SPECIFICATIONS

- Input: 2S LiPo (6 to 8.4Volt)
- Dual Output
 - RX Channel 5.2V 5A (Max 10A)
 - Servo Channel 5.2V 6V 6.8V 7.4V 8.4V 10A(Max 15A@6V)
- Low Voltage Alarm Setup : LiFe Type(6.5V) LiPo Type(7.3V)
- Switch Type : Fail Safe(Fail-Safe-On) Pin-Flag Contactless Type
- Power Connector Type : JST Connector Type
- Size : 17mm(H) x 40mm(W) x 64mm(L)
- Weight : 64g (Excluding Cables)
- Contents : Main Unit 1PC, RX Cable 4PCS, Power Switch 1PC, Operating Manual 1PC



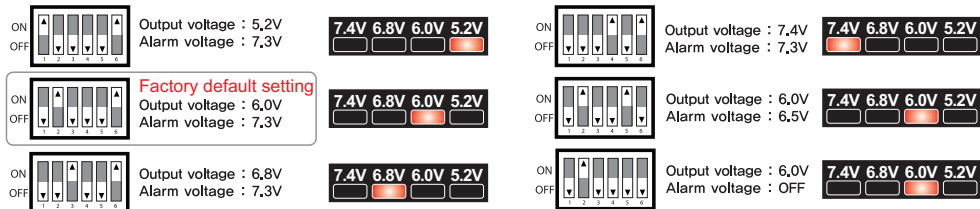
INSTALLATION

1. Setup output voltage of servo channel

The DIP switch which is used to setup the output voltage of servo channel is on the back of the item. There are four selections 4.8V, 6.0V, 6.8V and 7.4V which can be selected by four switches No 1 to 4 with ON and OFF position. Please pay attention when switch No.1 to 5 are OFF position, the output voltage is 8.4V(Bypass).

2. Setup low voltage alarm

The switch No 5-6 is used to set up the low voltage is on the back of the item. The selectable voltage is 7.3V for LiPo and 6.5V for LiFe. When the battery voltage falls below the regulator setup voltage, the LOW/BATT LED and the buzzer will begin to work at the same time. If you want to disable the Low Voltage Alarm function, please turn off both No 5 and 6 switch.



Note 1 Fully charged battery wouldn't usually drop to alarm voltage (7.3V for LiPo) for normal servo load at ambient temperature (22C). Thus is low voltage alarm is active 1 or 2 times after charging, degradation of battery or wiring condition should be checked. But the cold season, due to the characteristics of battery, the voltage drops will happen more often. So we suggest you use large capacity battery or high discharge rate battery in cold season. We also suggest set up the low voltage to 6.5V in this season.

Note 2 When you set up the low voltage to 7.3V (for LiPo) or 6.5V (for LiFe), the Low Voltage Alarm function may be activated at 7.2V or 6.4V. The tolerance is about 0.1V. Concerning to different product, the voltage for Low Voltage Alarm occurs is slightly different.

Note 3 Sometimes the reverse electromotive force may cause Low Voltage Alarm. When a servo motor is connected to the regulator reversely, the servo may move quickly even if the switch is off and the Low Voltage Alarm will work in this case due to the reverse electromotive force. What's more, the Low Voltage Alarm is also effected by electromagnetic wave or electromagnetic field. For example, when the transmitter antenna or oscillator is close to the low voltage alarm circuit, the low voltage alarm will be activated. Please don't worry when this case occurs and it is not a breakdown and you still could use this regulator.

3. Switch connection

The power switch is Fail-safe-on Pin-flag switch. It could be connected to the SW port of the regulator. When Pin-flag on the switch board is pulled out, that means the power is turned on.

Note 1 Switch board could be fixed by double-side foam tape or cable. You could also use the hole in the center of the board and fix it with a 3mm bolt.

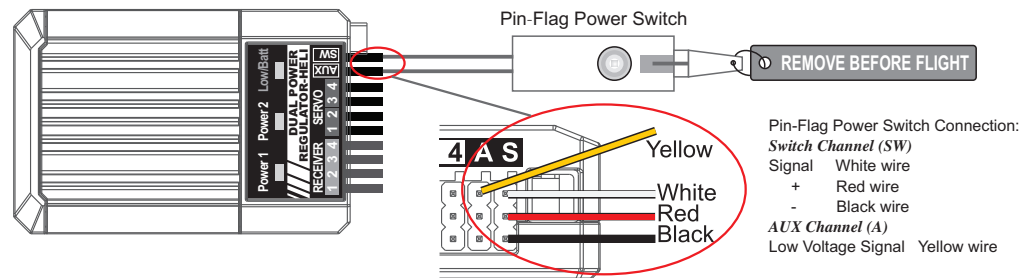
Note 2 Even if the switch is off, there is still small current in it. Please disconnect the battery with the regulator when you don't use it.

Pin-Flag Power Switch

Pin-Flag Power Switch(SK-600052) is an integrated switch which features "Low-voltage alarm LED". The power of "Low-voltage alarm LED" is one watt. The high power flux LED Provides day light visibility up to 200 meters away.

It is not necessary to use a switch as the unit uses Fail Safe "On" system, meaning it will automatically power up when plugged to the batteries if no switch is attached.

3mm Hole for Fixing



4. Battery connection

The regulator can be connected by JST connectors to the battery. Please make sure the polarity is correct when you connect the battery. (If you connect the +/- polarity reversed, internal circuit will be destroyed.) When charging and checking voltage, you could use female connector. While for dual battery, you could use male connector to connect battery instead of female connector. After you connect the battery, when you turn on the switch, if a short sound like beep is heard, that means the Low Voltage Alarm is activated.

5. Receiver & Servo channel connection

There are four pieces of JR type female-female extension in the box. Please use them to connect the receiver and the receiver channel on the regulator. The regulator supplies 5.0V voltage to the receiver and the receiver will respond the signal to the servo channel of the regulator. The servo will respond to the servo channel of the regulator from CH1 to CH4. In this case, the regulator supply power to the receiver then to servo.

Note 1 If the four servos are the same, when the operating voltage is the same, the servo channels can be connected directly.

Note 2 If the four servos are different, and you use three CCPM (6.0V) and one throttle servo (4.8V), you need to use a governor with it. What's more, the throttle servo must be connected to the receiver directly.

Note 3 There are two independent circuits to output to the receiver (5.2V) and to the servo channel (5.2-8.4V). The output voltage is quite different between these two circuits, so if you connect the cables wrongly, the regulator may not work.

WARNING AND SAFETY NOTES

- Please find a place with good airflow to install the regulator
- Don't put any electronics on the heat sink of the regulator.
- Due to the vibration during flight, please make sure the servo, and cable are fixed well to the regulator.
- Don't disassemble the regulator by yourself or you will not enjoy our free repair service.
- The regulator still consumes small current even if the regulator is OFF. So please disconnect the battery to the regulator if you don't use it.



Manufactured by
SKYRC TECHNOLOGY CO., LTD.
www.skyrc.com