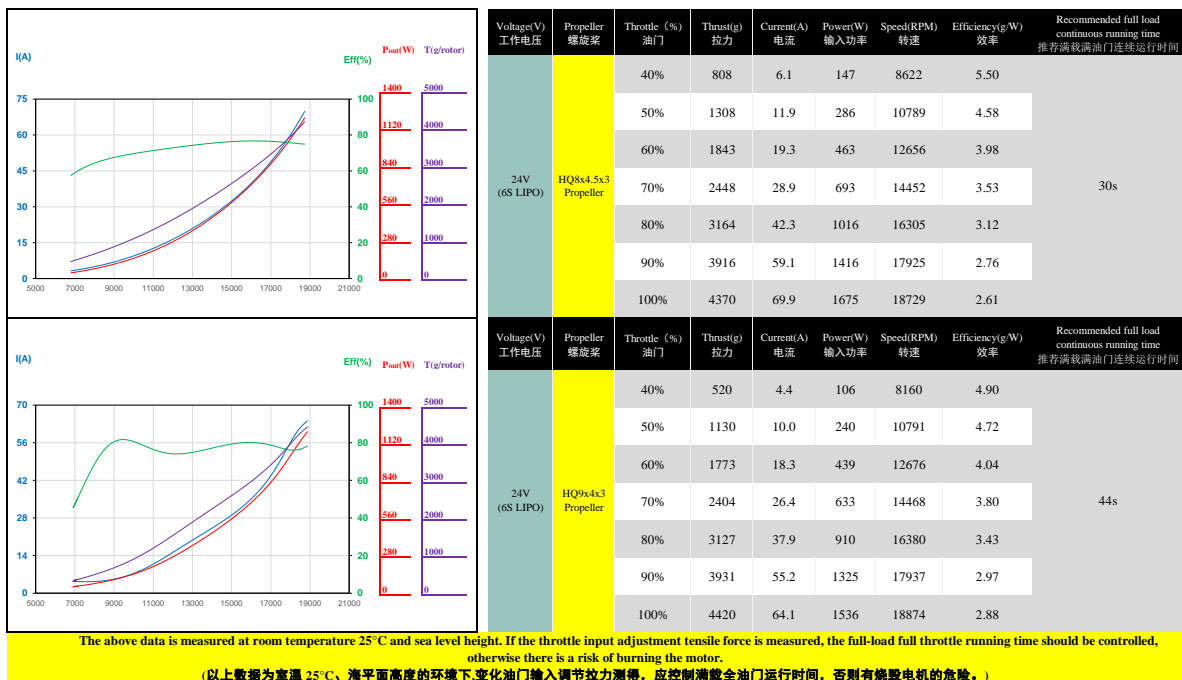
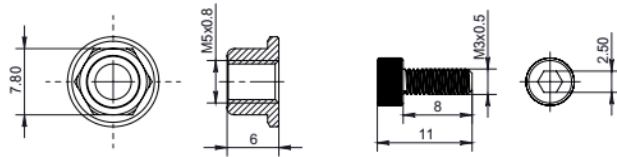
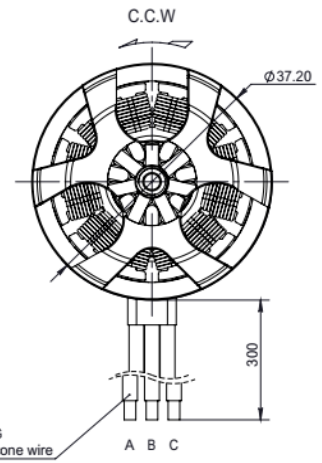
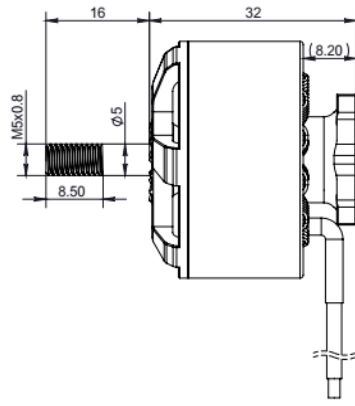
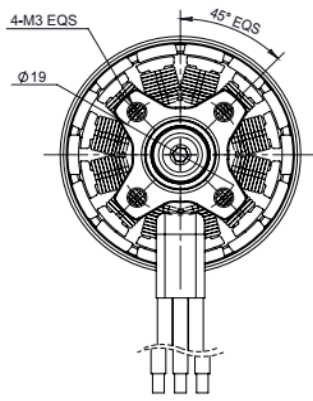


XRotor -3115 1050KV Specification (规格)

Rated Voltage(LiPo) 工作额定电压 (LiPo)	4-6S	KV KV值	1050KV
No-Load Current 空载电流	2.8A/24V	Resistance 相间内阻	31mΩ
Maximum Continuous Current 最大连续电流	70A/30s	Motor Weight 电机重量	126g
Maximum Continuous Rating 最大连续功率	1675W/30s	Pole/Slot 槽极数	12N14P
Maximum propeller pull 最大螺旋桨拉力	4420g	Motor Lead Type 线号	16AWG
Motor Size 电机尺寸	Φ 37.2 *32mm	Motor Lead Length 出线长度	300mm
Shaft Diameter 出轴直径	D5+H5	Enamelled Wire Insulation Class 漆包线绝缘等级	耐200°C高温 H级
Shaft Length 出轴长度	16mm	Recommended ESC 推荐电调	XRotor FPV-G2-65A-4in ECS
Screw Diameter / Thread 底座螺纹	Φ 19mm-4*H3	Propeller 螺旋桨	6S:HQ8x4.5x3:H09x4x3

Load Performance 负载性能参数





3115SL