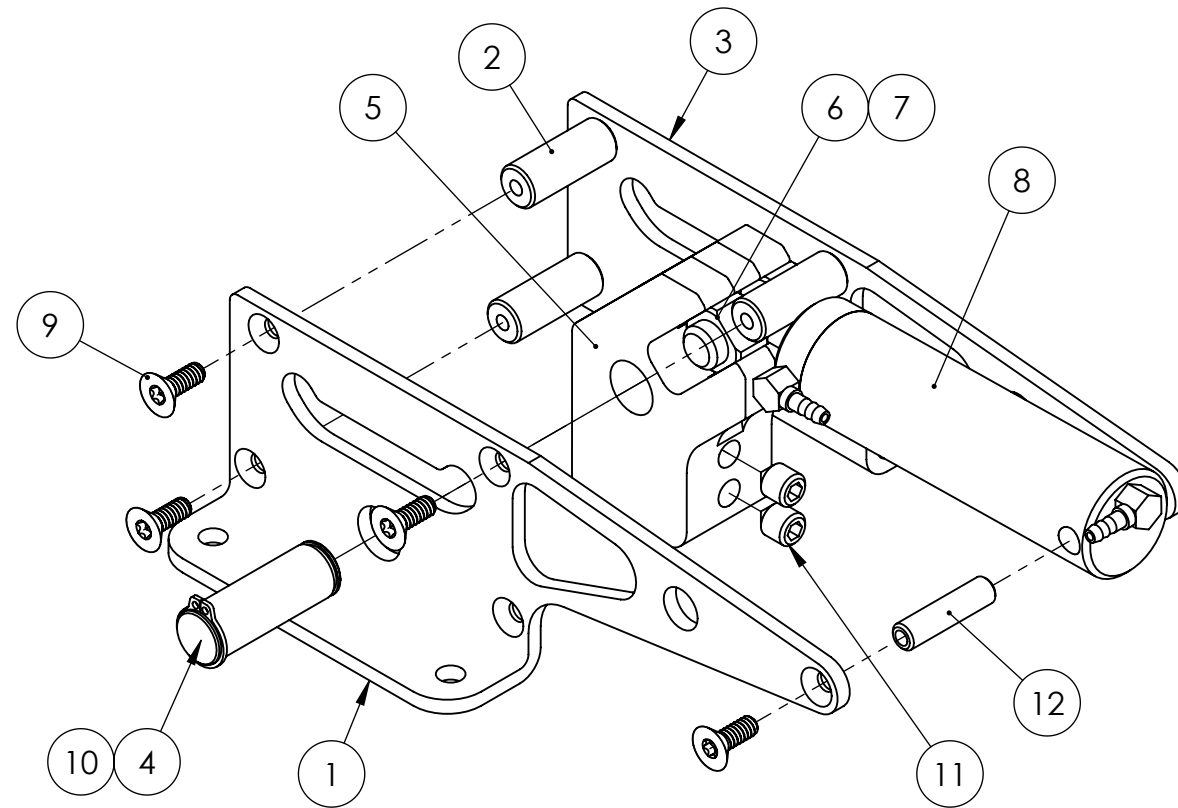


REVISIONS			
REV.	DESCRIPTION	DATE	APPROVED
A	REDRAWN IN SOLIDWORKS UPDATED TO C'SUNK FRAMES	31MAY13	JR



SPARE PARTS LIST			
QTY.	ITEM NO.	DESCRIPTION	PART NUMBER
1	1	90 DEG FRAME (LH)	630001M
3	2	FRAME SPACER	630005M
1	3	90 DEG FRAME (RH)	630002M
1	4	TRUNION PIN	630333M
1	5	MAIN GEAR TRUNION	630003M
2	6	CAM FOLLOWER	630011M
1	7	CAM PIN	630012M
1	8	CYLINDER ASSEMBLY	630102A
8	9	4-40 X 5/16 TORX FMS ZINC	1065F
2	10	PIVOT PIN RETAINING RING	1132F
2	11	#10-32 X 5/16" SET SCREW	1077F
1	12	FRAME SPACER	530021M

906-207M

PROPRIETARY AND CONFIDENTIAL
 THE INFORMATION CONTAINED IN THIS DRAWING IS THE SOLE
 PROPERTY OF ROBART MANUFACTURING. ANY REPRODUCTION
 IN PART OR AS A WHOLE WITHOUT THE WRITTEN PERMISSION OF
 ROBART MANUFACTURING IS PROHIBITED.

	NAME	DATE
DRAWN	J.REHAK	31MAY13
CHECKED		

robart 625 N. 12TH ST.
 ST. CHARLES, IL 60174
 PH: 630-584-7616
 FX: 630-584-3712
www.robart.com

TITLE:
**630RS MAIN RETRACT
 PNEUMATIC
 SPARE PARTS LIST**

630RSSP REV **A**