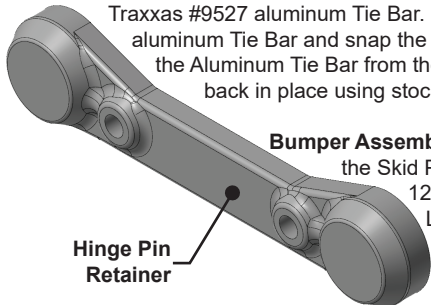


#70982 - Front Bumper & Skid Plate for the Traxxas Sledge

What's Included: 1 - Front Bumper, 1 - Skid Plate, 1 - Hinge Pin Retainer, 2 - M4 x 12mm Flathead Screws & 2 - M4 Lock Nuts.

Before You Begin: Remove the stock Traxxas #9535 Front Bumper & Skid Plate. Keep all hardware for installation with your new **RPM** versions.

Hinge Pin Retainer: Slip the Hinge Pin Retainer in place in front of the Traxxas #9527 aluminum Tie Bar. If the fit is too tight, remove the aluminum Tie Bar and snap the Hinge Pin Retainer in place on the Aluminum Tie Bar from the bottom. Screw both pieces back in place using stock M3 x 25mm cap screws.



Bumper Assembly: Screw the Front Bumper to the Skid Plate using the included M4 x 12mm Flathead Screws and M4 Lock Nuts. **Caution:** Tighten until snug only. **Do not overtighten.**

Final Assembly: Bolt the completed Bumper / Skid Plate assembly to the chassis in the stock location using the stock 4 - M4 x 15mm and 1 - M4 x 30mm flathead screws.

