



## 1/16 Summit LED Light Kit Instructions

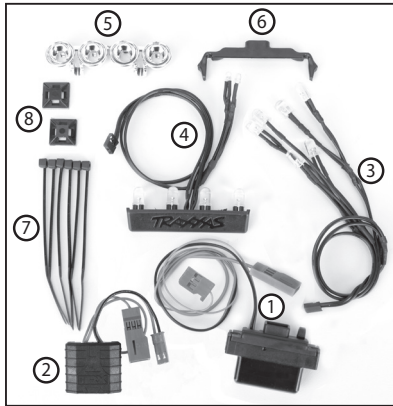
Covers Part(s) #7285A, 7286A, 7287, 7288

**Note:** Ensure vehicle battery is unplugged before beginning installation. Retain and reuse all parts and fasteners (unless otherwise noted).

Your motor and electronic speed control (ESC) may differ slightly from the one shown in the illustrations.

### Kit Contents:

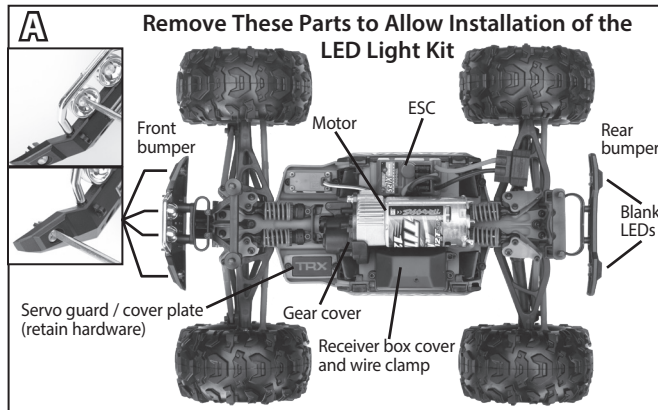
1. LED lighting module (included with part(s) #7285A and 7286A only)
2. Power tap
3. LED harness (chassis)
4. LED harness (body)
5. Body light bar
6. Rear light bar
7. Zip ties (6)
8. Zip tie mounts (2)



### Tools Needed:

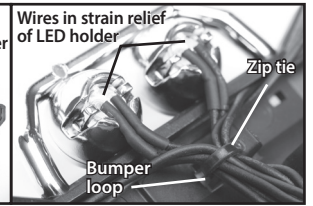
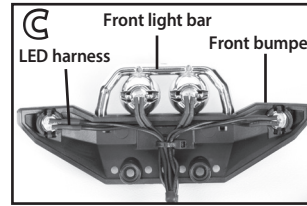
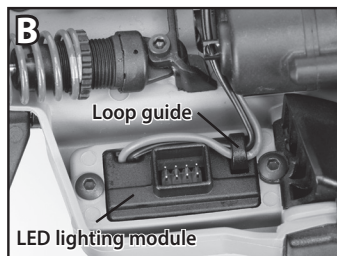
- 2.5mm hex driver • 2.0mm hex driver • 1.5mm hex driver • Body reamer
- Wire cutter (to trim zip tie excess)

**Tip:** Sort the hardware by assembly as you remove them so you can easily locate the correct hardware during reinstallation (A).

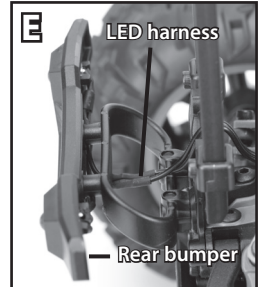


### Chassis installation

1. Remove the parts shown in Fig. A.
2. Install the LED lighting module and route the wires through the loop guide (B).
3. Snap the 4-LED end of the LED harness (chassis) into the front light bar and front bumper. Route the wires against the front bumper and secure the wires to the bumper loop with a zip tie (trim excess) (C).

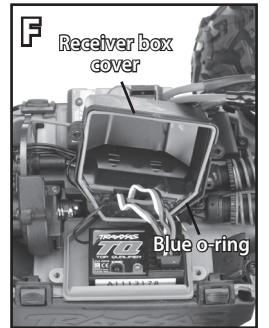


4. Continue to route the LED harness down the center of the chassis as shown in (D). Reinstall the front bumper; then, plug the LED harness connector into the LED lighting module. Route the module wires and the LED harness around the transmission and secure them with a zip tie (trim excess) (D).
5. Fully loosen the two rear shock mount screws, raise the rear shock mount slightly, and route the 2-LED end of the harness under the shock mount (between the shocks), as shown. (D) Tighten the rear shock mount screws; then, continue routing the LED harness toward the rear bumper.



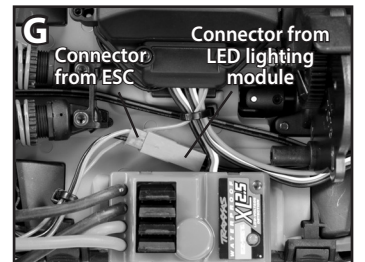
**CAUTION:** Do not pinch the wiring between the shock mount and the chassis.

6. Snap the LEDs into the rear bumper. Route the wires against the rear bumper, then, reinstall the rear bumper (E). Plug the LED harness connector into the LED lighting module.
7. Thread the red wire from the LED lighting module through the opening in the receiver box cover and plug the connector into any available channel in the receiver box (D, F).

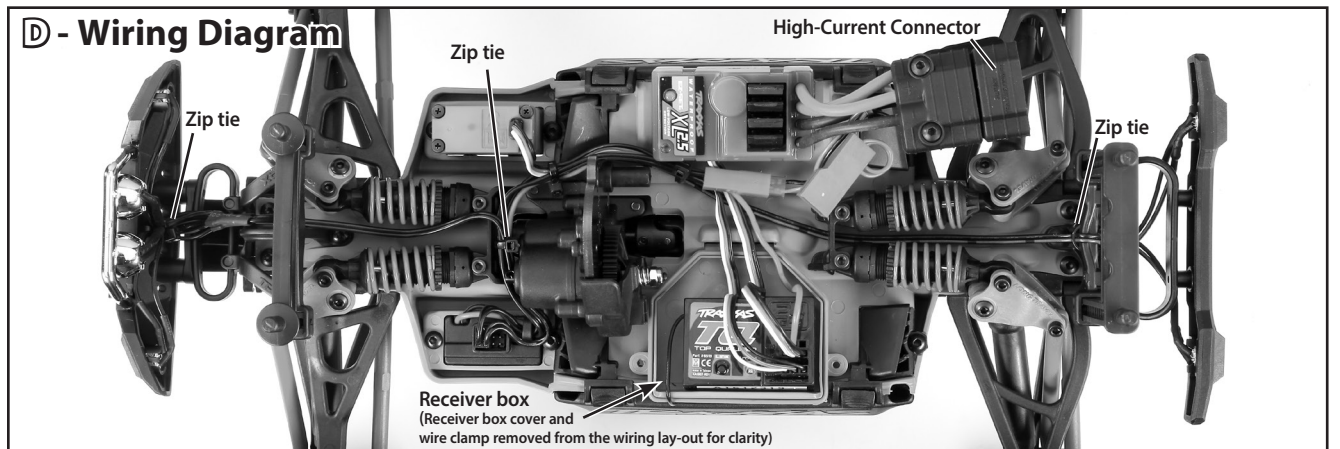


**Note:** If you install the included power tap, the red female connector from the power tap can be used to connect the temperature/voltage sensor (part #6523, sold separately) to the ESC.\*

8. Reinstall the ESC, the receiver box cover, the wire clamp, the motor, and the gear cover. Plug the black wire (red female connector) from the LED lighting module into the black wire (red male connector) from the ESC (G).



**Note:** Ensure that the blue o-ring is properly seated in the groove around the receiver box cover base. Check for proper adjustment of the gear mesh. Refer to the vehicle Owner's Manual for detailed instructions.



## Body installation

1. Use a body reamer or a drill to cut two 7mm wide holes in the roof of the vehicle body, as shown (H, I).

**Note:** It is important to cut the holes in the appropriate locations or the LEDs will not mount correctly (I).

2. Replace the front blank light bar on the top of the vehicle with the supplied body light bar.

3. Thread both sections of the LED harness (body) down through the front drilled hole. Snap the LED lights into the body light bar (J).

4. Thread the 2-LED end of the harness up through the rear drilled hole. Snap the LED lights into the rear light bar and position it under the Exo-Cage (K).

5. Pull any excess length of the harness to the underside of the vehicle body and secure with the supplied zip ties and mounts. Position the zip tie mounts as shown (L).

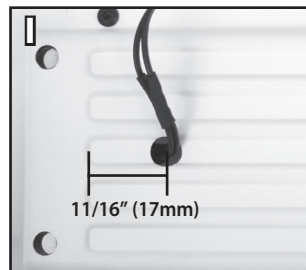
**Note:** Use alcohol to clean the underside of the vehicle body before attaching the zip tie mounts.

6. Plug the wiring harness into the LED lighting module and reinstall the body (M).

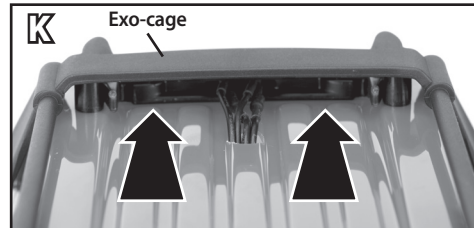
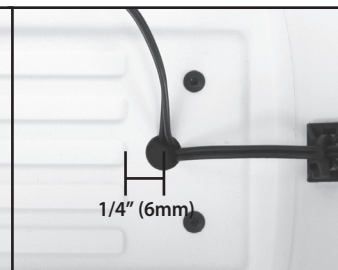
7. The lights will turn on when the ESC is turned on.



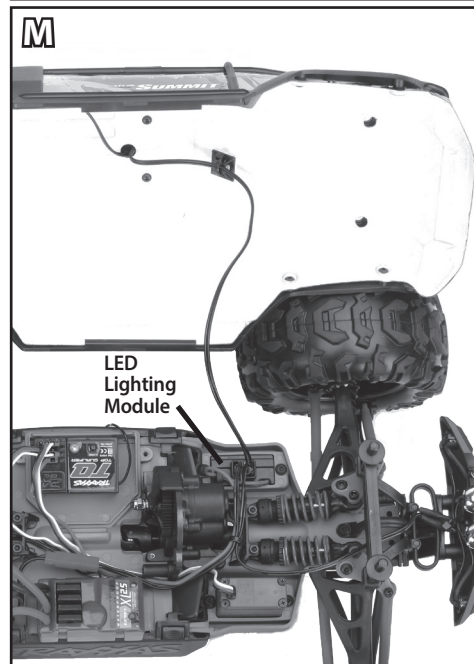
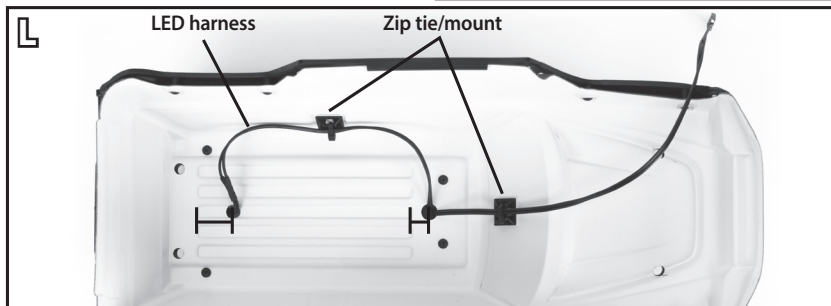
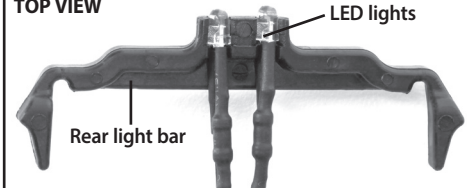
Rear Inside Roof



Front Inside Roof



TOP VIEW



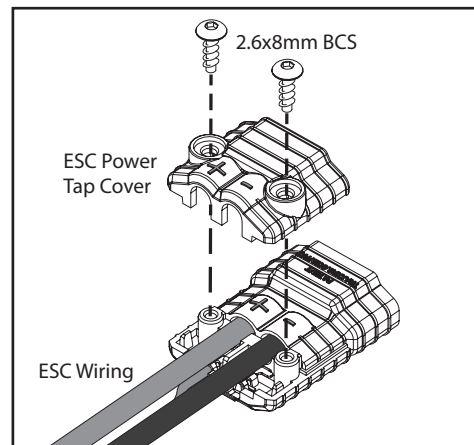
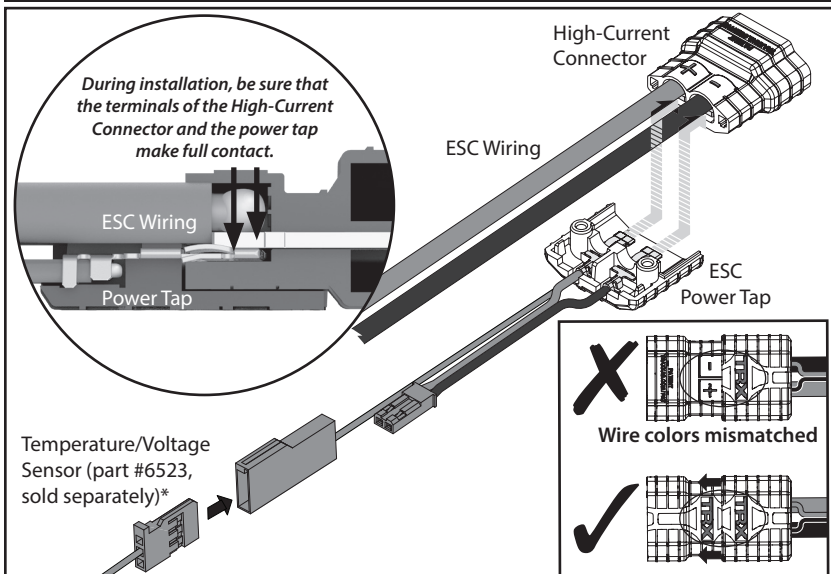
## Installation of the power tap

**Note:** If the wiring from your speed control is not equipped with the 2-pin male connector (black wire with red connector), you must install the included power tap on the High-Current Connector.



### CAUTION: RISK OF DAMAGE TO ACCESSORIES!

Note the polarity and wire color on the pre-installed wires on the power tap. Ensure the polarity is correct during installation on the High-Current Connector: red (+) (positive), black (-) (negative).



\*TQi Radio System required for functionality. Visit [Traxxas.com](http://Traxxas.com) for more information.

TRAXXAS.COM

Traxxas, 6250 Traxxas Way, McKinney, TX 75070, Phone: 972-549-3000, Fax: 972-549-3011, e-mail: [support@Traxxas.com](mailto:support@Traxxas.com)

HKC20056-R02 201026