



## Front Bumper Installation - TRX-4® Sport

Covers Part #8866

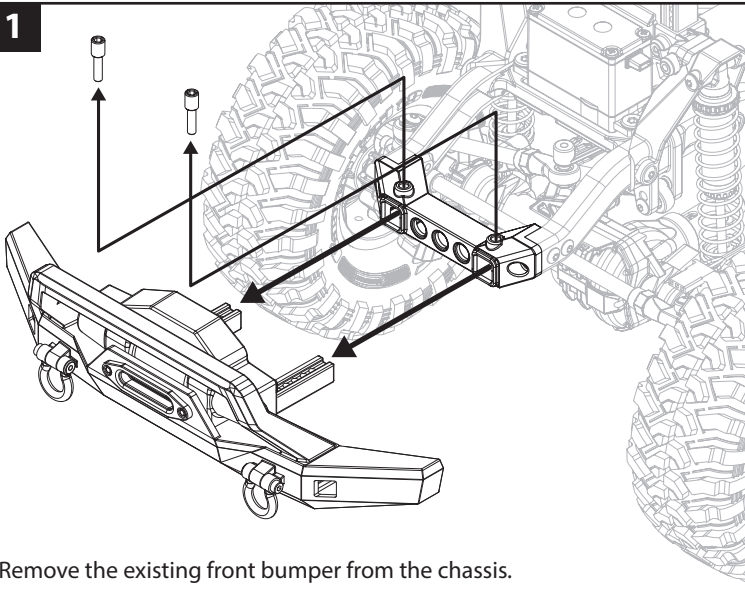
### Kit contents:

- Front bumper with bumper mount, D-Rings, and fairlead

### Tools required:

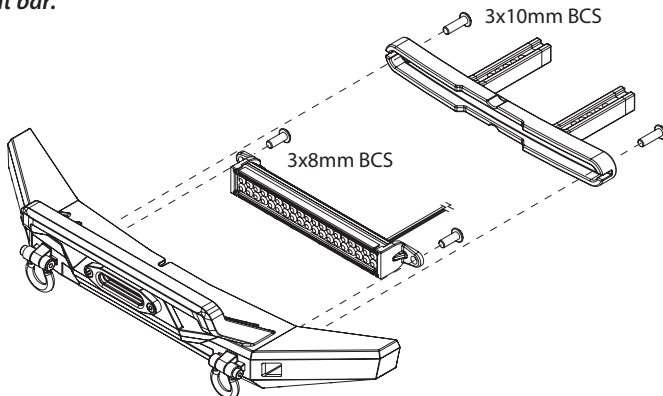
- 2mm hex wrench

1

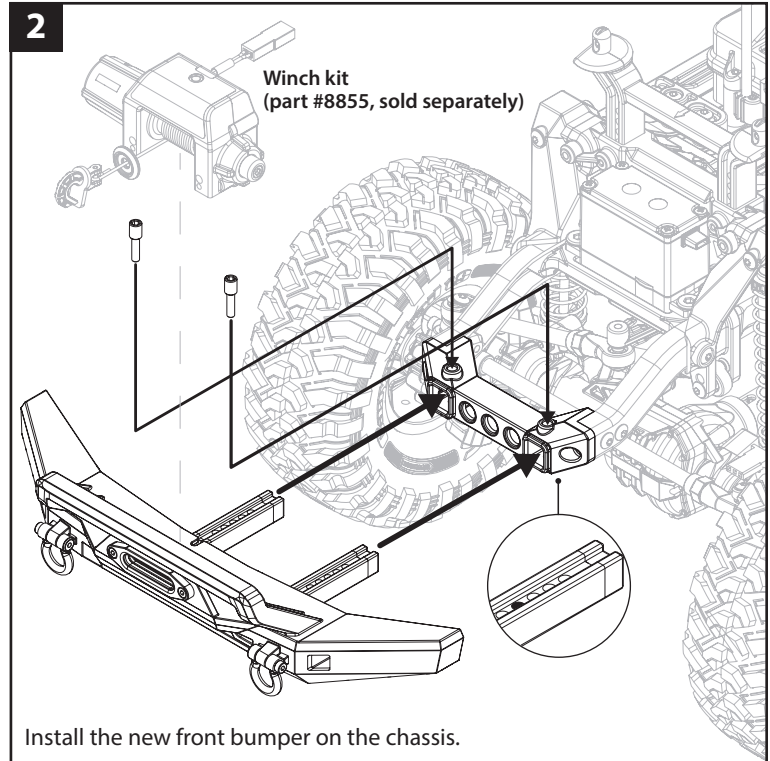


Remove the existing front bumper from the chassis.

Your new front bumper is designed to work with the 8088 LED light bar (sold separately). Install it on the bumper as shown below. *The 8028 LED lighting module (also sold separately) is required to provide power to the light bar.*



2



Install the new front bumper on the chassis.

If you have questions or need technical assistance, call Traxxas at

# 1-888-TRAXXAS

(1-888-872-9927) (U.S. residents only)