

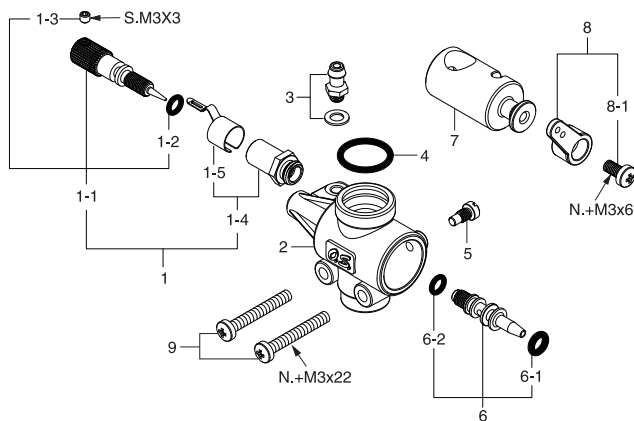
### CAP SCREW SETS (10pcs./sets)

Code No.	Size	Pcs. used in an engine
79871020	M2.6x7	Cam Cover Retaining Screw (2pcs.) Intake Manifold Retaining Screw (2pcs.)
79871030	M2.6x10	Rocker Cover Retaining Screw (4pcs.)
79871110	M3x8	Cover Plate Retaining Screw (4pcs.)
79871180	M3x18	Cylinder Head Retaining Screw (4pcs.)

No.	Code No.	Description
1	47104200	Rocker Cover (1pc.)
2	40964000	Rocker Arm Shaft (1pc.)
3	44561200	Tappet Adjusting Screw (1pair)
4	40961110	Rocker Arm (1pc.)
5	46160400	Valve Spring Retainer (2pcs.)
6	40960300	Valve Spring Seat (1pc.)
7	45960210	Valve Spring (1pc.)
8	40960100	Valve (1pc.)
9	40904100	Cylinder Head (W/Gasket)
9-1	40914000	Cylinder Head Gasket (1pc.)
10	40903400	Piston Ring
11	40903200	Piston
12	40906000	Piston Pin
13	40905000	Connecting Rod
14	40903100	Cylinder Liner
15	40969400	Intake Manifold
16	40981000	Carburetor Complete (Type 60PA)
17	40907000	Cover Plate
18	40902000	Crankshaft
19	45630000	Crankshaft Ball Bearing (Rear)
20	40901000	Crankcase
21	45231100	Camshaft Ball Bearing (1pc.)
22	45962000	Camshaft
23	40901100	Cam Cover
24	40904160	Push Rod (2pcs.)
25	45566310	Push Rod Cover "O" Ring (2pcs.)
26	40966100	Push Rod Cover (1pc.)
27	45564000	Cam Follower (2pcs.)
28	40931000	Crankshaft Ball Bearing (Front)
29	46120000	Thrust Washer
30	40908000	Drive Hub
31	45910100	Lock Nut Set
32	40925000	F-5050 Silencer Assembly
32-1	40925100	Silencer Body
32-2	40925400	Assembly Screw
32-3	44925310	Silencer Gasket (1pc.)
32-4	40926000	Exhaust Header Pipe Assembly
32-5	45626030	Exhaust Header Pipe Nut M11 (1pc.)
	71615009	Glow Plug Type F

## TYPE 60PA

(40981000)



No.	Code No.	Description
1	25581900	Needle Valve Assembly
1-1	22681980	Needle Assembly
1-2	24981837	"O" Ring (2pcs.)
1-3	26381501	Set Screw
1-4	27381940	Needle Valve Holder Assembly
1-5	26711305	Ratchet Spring
2	45984100	Carburetor Body
3	22681953	Fuel Inlet (No.1)
4	46115000	Carburetor Rubber Gasket (1pc.)
5	45581820	Rotor Guide Screw
6	45582300	Mixture Control Valve Assembly
6-1	46066319	"O" Ring (L) (2pcs.)
6-2	24881824	"O" Ring (S) (2pcs.)
7	40981200	Carburetor Rotor
8	22081408	Throttle Lever Assembly
8-1	22081313	Throttle Lever Retaining Screw
9	45581700	Carburetor Retaining Screw (2pcs.)

\* Type of screw

C...Cap Screw M...Oval Fillister-Head Screw

F...Flat Head Screw N...Round Head Screw S...Set Screw