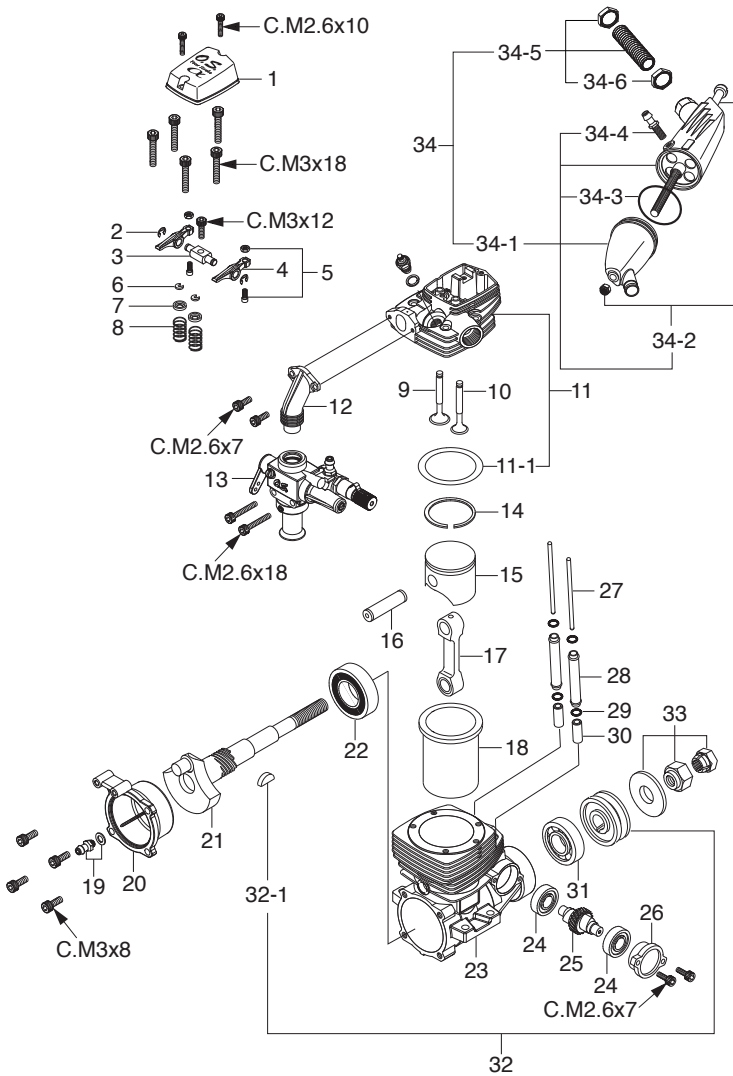


ENGINE EXPLODED VIEW & PARTS LIST

* Type of screw C...Cap Screw



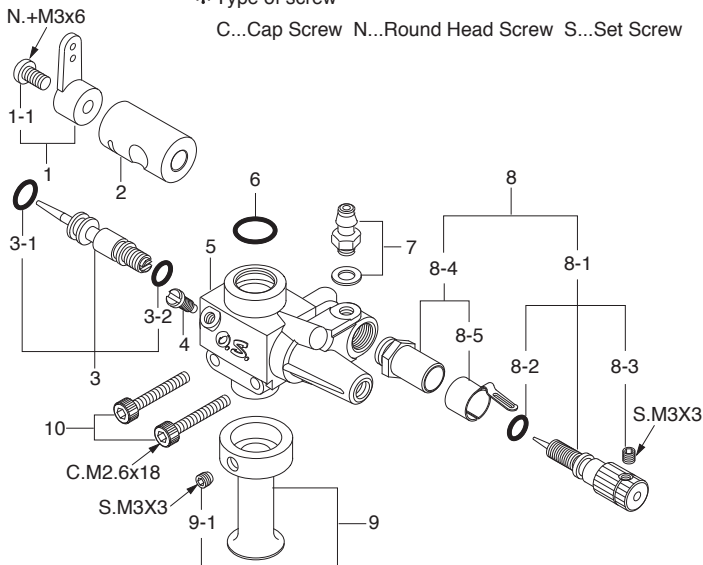
CAP SCREW SETS (10pcs./sets)

| Code No. | Size | Pcs. used in an engine |
|----------|---------|--|
| 79871020 | M2.6x7 | Cam Cover Retaining Screw (2pcs.) Intake Manifold Retaining Screw (2pcs.) |
| 79871030 | M2.6x10 | Rocker Cover Retaining Screw (2pcs.) |
| 79871055 | M2.6x18 | Carburetor Retaining Screw (2pcs.) |
| 79871110 | M3x8 | Cover Plate Retaining Screw (4pcs.) |
| 79871140 | M3x12 | Rocker Support Retaining Screw (1pc.) |
| 79871180 | M3x18 | Cylinder Head Retaining Screw (5pcs.) |

CARBURETOR EXPLODED VIEW & PARTS LIST

* Type of screw

C...Cap Screw N...Round Head Screw S...Set Screw



| No. | Code No. | Description |
|------|----------|------------------------------------|
| 1 | 44604220 | Rocker Cover |
| 2 | 45761600 | Rocker Arm Retainer (2pcs.) |
| 3 | 45261410 | Rocker Support (1pc.) |
| 4 | 45261110 | Rocker Arm (1pc.) |
| 5 | 45761200 | Tappet Adjusting Screw (1pair) |
| 6 | 46160400 | Valve Spring Retainer (2pcs.) |
| 7 | 44660300 | Valve Spring Seat (2pcs.) |
| 8 | 44660200 | Valve Spring (1pc.) |
| 9 | 44650000 | Intake Valve (1pc.) |
| 10 | 44651000 | Exhaust Valve (1pc.) |
| 11 | 44604110 | Cylinder Head (W/Gasket) |
| 11-1 | 44614100 | Cylinder Head Gasket (1pc.) |
| 12 | 44669400 | Intake Manifold (1pc.) |
| 13 | 44681000 | Carburetor Complete (Type 40NA) |
| 14 | 44603400 | Piston Ring |
| 15 | 44603200 | Piston |
| 16 | 44606000 | Piston Pin |
| 17 | 44605000 | Connecting Rod |
| 18 | 44603100 | Cylinder Liner |
| 19 | 22681953 | Nipple No.1 |
| 20 | 44607010 | Cover Plate |
| 21 | 44602000 | Crankshaft |
| 22 | 44230000 | Crankshaft Ball Bearing (Rear) |
| 23 | 44601000 | Crankcase |
| 24 | 45231100 | Camshaft Ball Bearing (1pc.) |
| 25 | 45262010 | Camshaft |
| 26 | 44601100 | Cam Cover |
| 27 | 44666000 | Push Rod (2pcs.) |
| 28 | 44666100 | Push Rod Cover (1pc.) |
| 29 | 27881840 | Push Rod Cover "O" Ring (2pcs.) |
| 30 | 45664000 | Cam Follower (2pcs.) |
| 31 | 26531005 | Crankshaft Ball Bearing (Front) |
| 32 | 45808000 | Drive Hub (W/woodruff key) |
| 32-1 | 27708200 | Woodruff Key |
| 33 | 45810100 | Lock Nut Set |
| 34 | 44625000 | F-4040 Silencer Assembly |
| 34-1 | 44625100 | Silencer Body |
| 34-2 | 44625400 | Assembly Screw |
| 34-3 | 44625410 | Silencer Gasket (1pc.) |
| 34-4 | 22681957 | Pressure Nipple (No.7) |
| 34-5 | 44625200 | Exhaust Header Pipe Assembly |
| 34-6 | 45626010 | Exhaust Header Pipe Nut M10 (1pc.) |
| | 71615009 | Glow Plug Type F |

| No. | Code No. | Description |
|-----|----------|-------------------------------------|
| 1 | 22081408 | Throttle Lever Assembly |
| 1-1 | 22081313 | Throttle Lever Retaining Screw |
| 2 | 44681200 | Carburetor Rotor |
| 3 | 44681600 | Mixture Control Nozzle Assembly |
| 3-1 | 46066319 | "O" Ring (L) (2pcs.) |
| 3-2 | 24881824 | "O" Ring (S) (2pcs.) |
| 4 | 21285220 | Rotor Guide Screw |
| 5 | 44281100 | Carburetor Body |
| 6 | 45115000 | Carburetor Rubber Gasket (1pc.) |
| 7 | 22681953 | Fuel Inlet (No.1) |
| 8 | 44281900 | Needle Valve Assembly |
| 8-1 | 44281970 | Needle Assembly |
| 8-2 | 24981837 | "O" Ring (2pcs.) |
| 8-3 | 26381501 | Set Screw |
| 8-4 | 27381940 | Needle Valve Holder Assembly |
| 8-5 | 26711305 | Ratchet Spring |
| 9 | 44681300 | Velocity Stack |
| 9-1 | 26381501 | Set Screw |
| 10 | 79871055 | Carburetor Retaining Screw (10pcs.) |