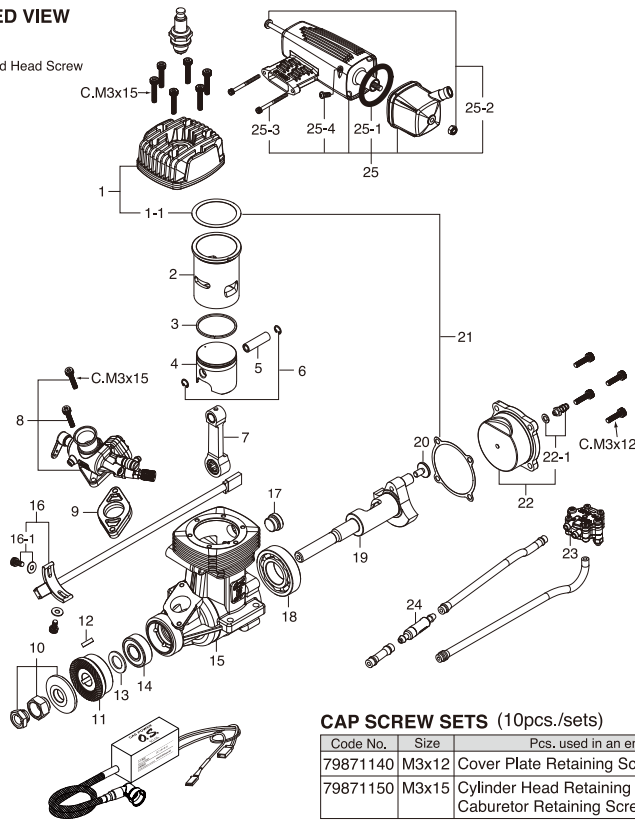


ENGINE EXPLODED VIEW

* Type of screw

C...Cap Screw N...Round Head Screw



CAP SCREW SETS (10pcs./sets)

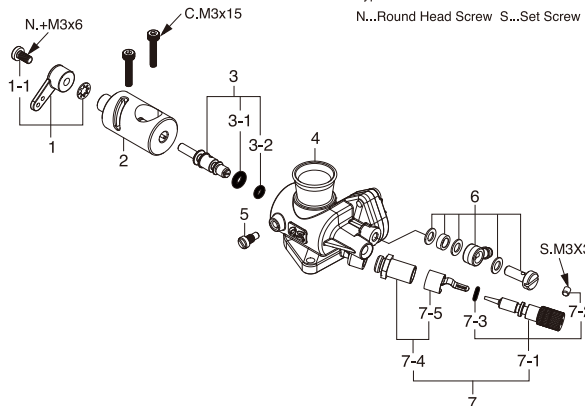
Code No.	Size	Pcs. used in an engine
79871140	M3x12	Cover Plate Retaining Screw (4pcs.)
79871150	M3x15	Cylinder Head Retaining Screw (6pcs.) Carburetor Retaining Screw (2pcs.)

No.	Code No.	Description
1	28164000	Cylinder Head
1-1	29061406	Head Gasket
2	29503100	Cylinder Liner
3	28153400	Piston Ring
4	28163200	Piston
5	26606008	Piston Pin
6	28117010	Piston Pin Retainer
7	28155000	Connecting Rod
8	28181010	Carburetor Complete (Type 61H)
9	28169460	Thermo Insulator
10	45910100	Lock Nut Set
11	28168000	Drive Hub
12	29008219	Woodruff Key
13	46120000	Thrust Washer
14	26731002	Ball Bearing (F)
15	28161000	Crankcase
16	74002320	Rotation Sensor
16-1	74002321	Rotation Sensor Retaining Screw Set (2pcs.)
17	28151300	Crankcase Plug
18	29030001	Ball Bearing (R)
19	28162000	Crankshaft
20	28152100	Crank Pin Stop Screw
21	29514000	Gasket Set
22	28167010	Cover Plate
22-1	4A281950	Nipple No.20
23	72508100	Pump Unit PD-08
24	78300000	Gasoline Fuel Filter S
25	27425011	E-4040 Silencer
25-1	29122540	"O" Ring
25-2	27425300	Assembly Screw
25-3	26625210	Silencer Retaining Screw (C.M4x40 2pcs.)
25-4	23081706	Carburetor Retaining Screw (N.+M3.5x5 2pcs.)
	71669010	Spark Plug CM-6 (Rcexl)
	74002710	Ignition Module (IG-06)

CARBURETOR EXPLODED VIEW & PARTS LIST

* Type of screw

N...Round Head Screw S...Set Screw

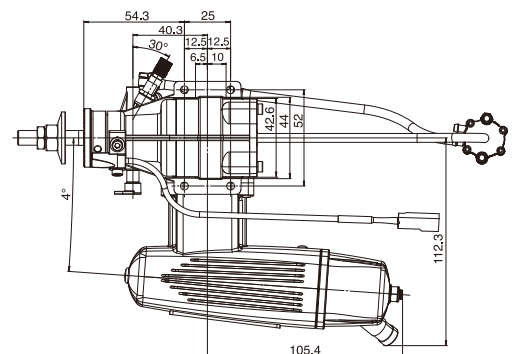


No.	Code No.	Description
1	27881400	Throttle Lever Assembly
1-1	22081313	Throttle Lever Retaining Screw
2	28181210	Carburetor Rotor
3	28181600	Mixture Control Valve Assembly
3-1	28181920	"O" Ring (L) (2pcs.)
3-2	28181910	"O" Ring (S) (2pcs.)
4	28181110	Carburetor Body
5	45581820	Rotor Guide Screw
6	45571110	Universal Nipple L3.5
7	28181100	Needle Valve Assembly
7-1	28181101	Needle Assembly
7-2	26381501	Set Screw
7-3	28181910	"O" Ring (2pcs.)
7-4	27381940	Needle-valve Holder Assembly
7-5	26711305	Ratchet Spring No.4

THREE VIEW DRAWING Dimensions (mm)

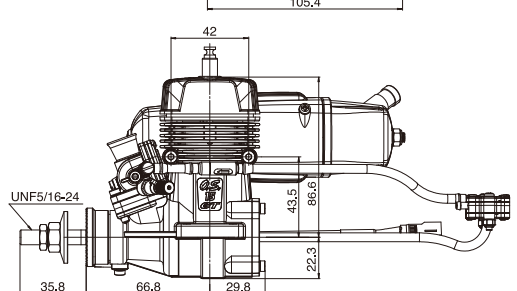
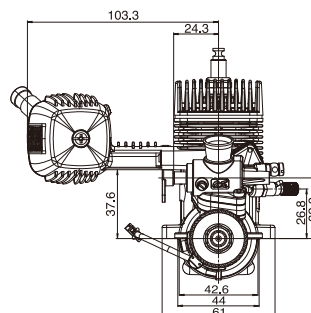
SPECIFICATIONS

Displacement	14.95 cc / 0.912 cu.in.
Bore	27.7 mm / 1.091 in.
Stroke	24.8 mm / 0.976 in.
Output	2.4 ps / 2.37 hp / 15,000 r.p.m.
Practical R.P.M.	2,000-15,000 r.p.m.
Weight	631 g / 22.26 oz. (Engine) 169 g / 5.97 oz. (Silencer) 95 g / 3.35 oz. (Ignition module)



O.S. GENUINE PARTS & ACCESSORIES

- SPARK PLUG CM-6 (NGK) (71669000)
- E-4051 Silencer Assembly (27426010)
- PROPELLER LOCKNUT SET FOR SPINNER
 - 5/16"-M4 (45910200)
 - 5/16"-M5 (45910300)
- NON-BUBBLE WEIGHT (S) (71531010)
- LOCK WASHER (10sets) M4 (55500003)
- FLUORORUBBER TUBE
 - ID. 2mm x OD. 4mm Length 500mm (28382100)
 - ID. 3mm x OD. 5mm Length 500mm (28382200)
- SUPER FILTER (S) (72403051)
- SUPER FILTER (L) (72403050)
- BLIND NUT (10pcs.) M4 (79870040)



O.S. ENGINES MFG.CO.,LTD.
http://www.os-engines.co.jp

6-15 3-Chome Imagawa Higashiumiyoshi-ku
Osaka 546-0003, Japan TEL. (06) 6702-0225
FAX. (06) 6704-2722