

## #80962 - Wheelie Bar Mount for the Traxxas Rustler 4x4

**What's Included:** 1 - Upper Wheelie Bar Mount, 1 - Lower Wheelie Bar Mount, 4 - Stepped Spacers & 4 - M3 x 16mm Buttonhead Screws.

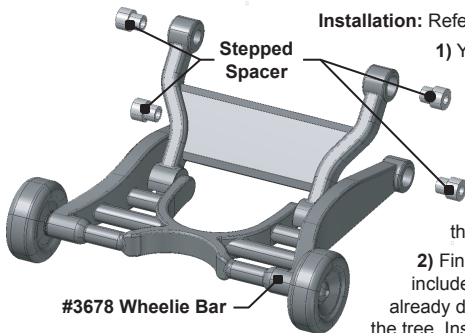
**Before You Begin:** 1) Remove and retain the 2 - M3 x 15mm BCS holding the Traxxas #6737 bumper mount to the top of the differential cover. □

2) Remove and retain the 2 - M3 x 12mm CCS holding the #6737 rear skid plate to the chassis. □

3) Remove and retain the single M3 x 20mm BCS from the rear of the #6737 rear skid plate to the #6823 bulkhead tie bar.

4) Once the #6737 rear skid plate has been removed, reinstall the M3 x 20mm BCS to retain the #6823 bulkhead tie bar. □

**Installation:** Refer to the illustrations to the left.



1) Your new Traxxas #3678 wheelie bar will have a mount attached that is not needed here. Remove and discard the 4 shoulder screws securing the mount to the wheelie bar. When you're finished, the wheelie bar should look like the image to the left. □

2) Find the Stepped Spacers included in this kit and, if you haven't already done so, carefully clip them from the tree. Install them in the Wheelie Bar as shown in the illustration.

3) Clip the Upper & Lower Mounts off of the tree and install them on the vehicle using the stock screws you removed earlier. Use the image to the left for proper orientation of the Upper and Lower Mounts. □

4) Use the included M3 x 16mm Buttonhead Screws to secure the Traxxas #3678 Wheelie Bar to the Upper & Lower Mounts.

