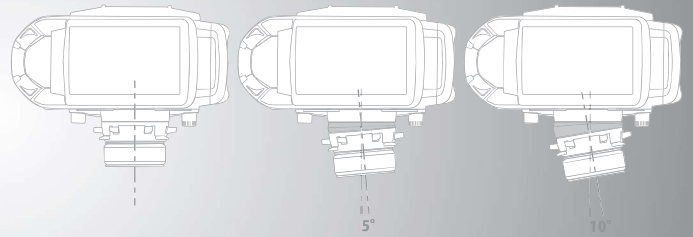


**T10PX**  
Accessory Parts

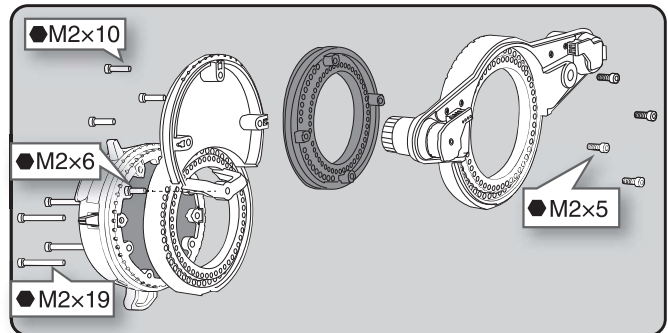
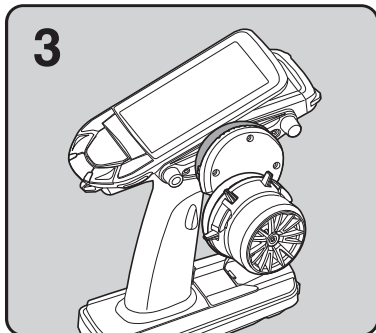
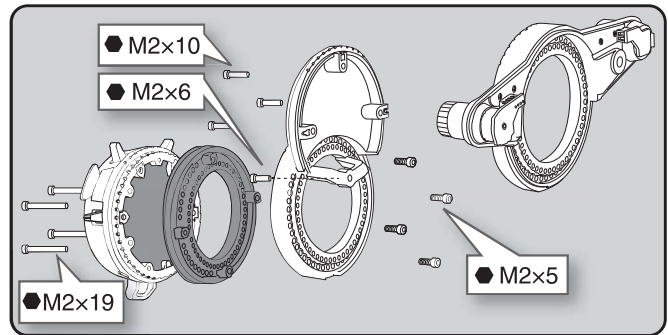
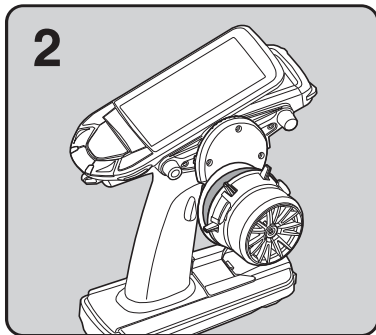
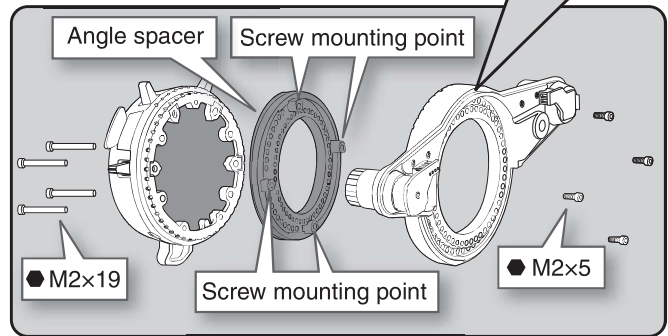
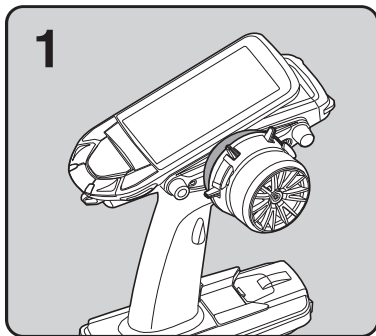
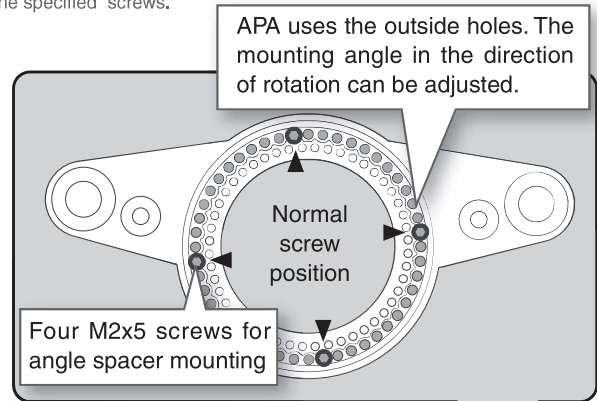
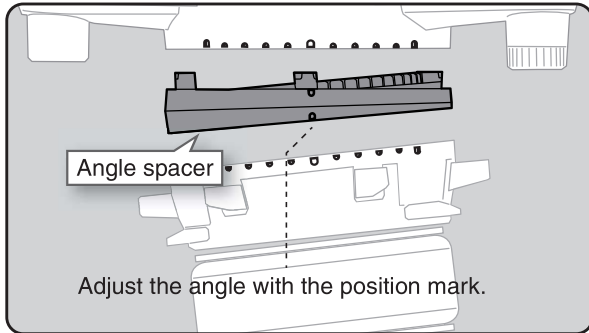
**APA ANGLE SPACER 5°/ 10°**

- BT3366 APA ANGLE(5) T10PX → 5°
- BT3367 APA ANGLE(10) T10PX → 10°



The wheel mounting angle can be changed by using the optional angle spacer 5° or 10°.

- For the disassembly and assembly method, refer to the T10PX instruction manual.
- The angle spacer is either 5° or 10° and included M2x5 mm hex screws.
- Obtain hex wrench. / Remove the battery.
- Install the rear cover.
- The length of the screws used at each part differs. When reassembling the steering wheel unit, always use the specified screws.



- Use the accessory screws and the transmitter screws.
- There are extra screws in the accessories.

- M2 x 5 screws are special size so be careful not to lose them.
- Do not overtighten M2x19 four screws.