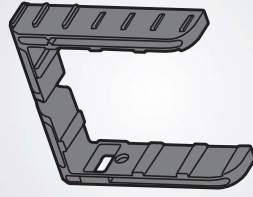
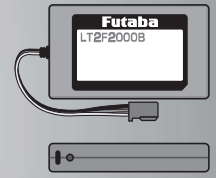


T10PX
Accessory Parts
LiPo SPACER T10PX



T10PX

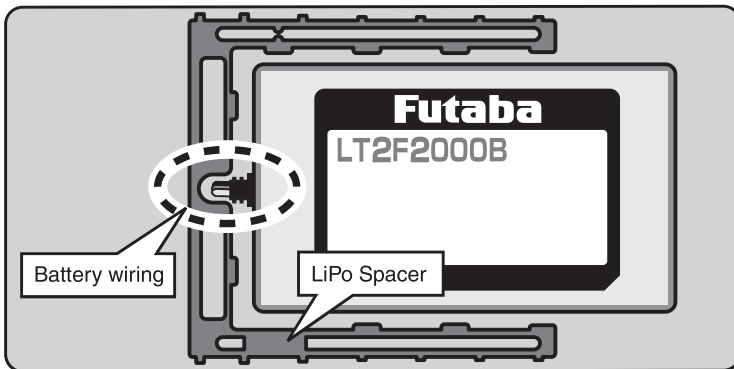
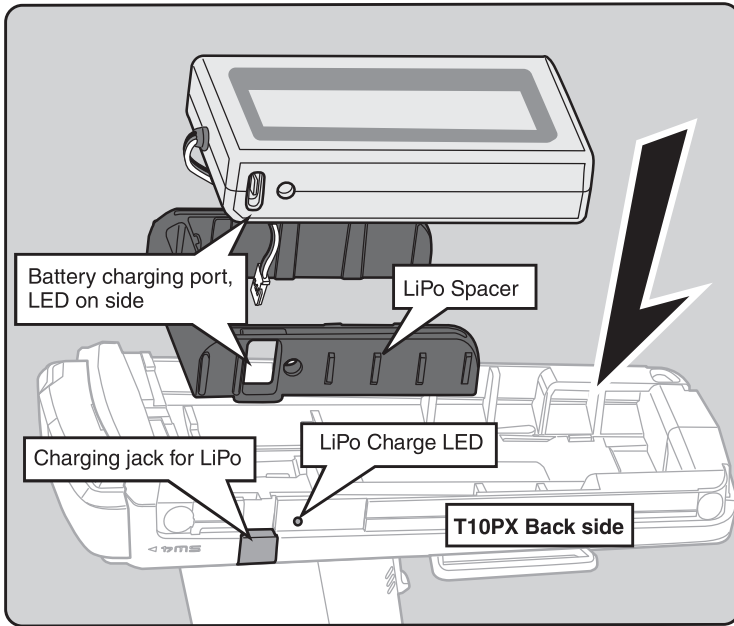


LT2F2000B

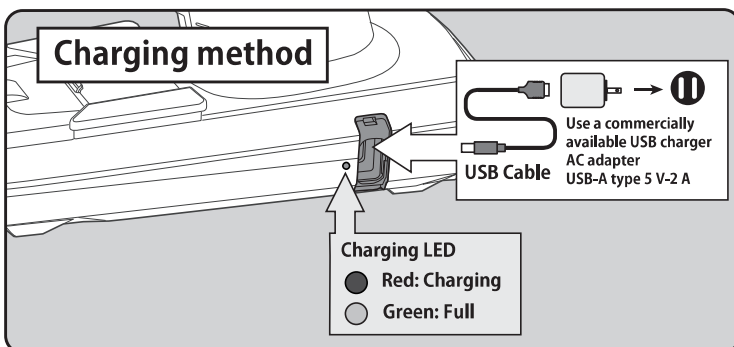
The T10PX can use the optional LiPo battery LT2F2000B. In that case, use this LiPo spacer.

● **LiPo battery installation**

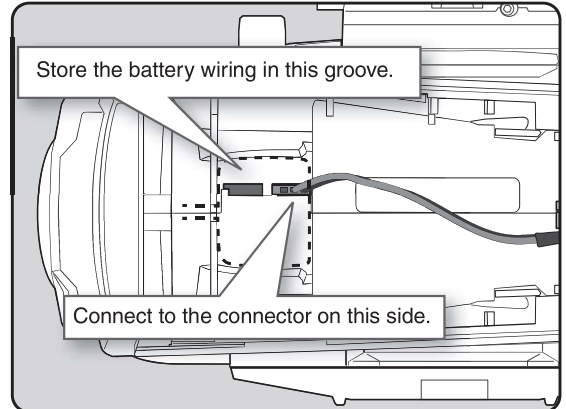
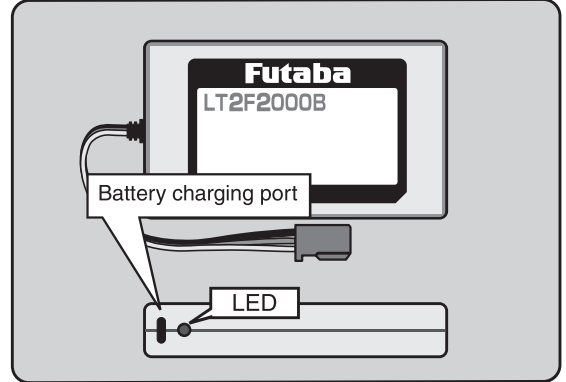
Install the Lipo spacer on the transmitter and then the Lipo battery.



● Be sure to attach the battery cover.



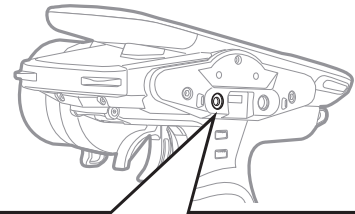
LiPo Battery LT2F2000B (Sold separately)



⚠ **Be sure to do it when using LiPo.**

● **Battery type change**

Be sure to change to LiPo battery type in System Menu → Battery



⊘ **Do not charge the Lipo battery from here !**

- Be sure to read the instruction manual for the Li-Po battery LT2F2000B and T10PX and follow the precautions.
- This LiPo spacer cannot use batteries other than LT2F2000B.