



LED Light Bar Kit Installation Instructions

Covers Parts #6590, 8485, 8486, 8487, 8488, 8489

#6590 Kit Contents:

- High-Voltage Power Amplifier
- 3x12mm button-head screws (2)

#8485 Kit Contents:

- High-Voltage Power Amplifier
- Front grill LED light bars (2)
- Rear LED light bar
- Windshield LED light bar
- LED light bar mounts (2)
- 2-in-1 wire harness
- 3x10mm button-head screws (4)
- 3x12mm button-head screws (4)
- 3x15mm button-head screws (4)
- 3x20mm button-head screws (2)
- Zip ties (10)

#8486 Kit Contents:

- Front grill LED light bar
- LED light bar mounts (2)
- 3x10mm button-head screws (2)
- 3x15mm button-head screws (2)
- 3x20mm button-head screws (2)
- Zip ties (3)

#8487 Kit Contents:

- Rear LED light bar
- 3x12mm button-head screws (2)
- Zip ties (4)

#8488 Kit Contents:

- Windshield LED light bar
- 3x15mm button-head screws (2)
- Zip ties (2)

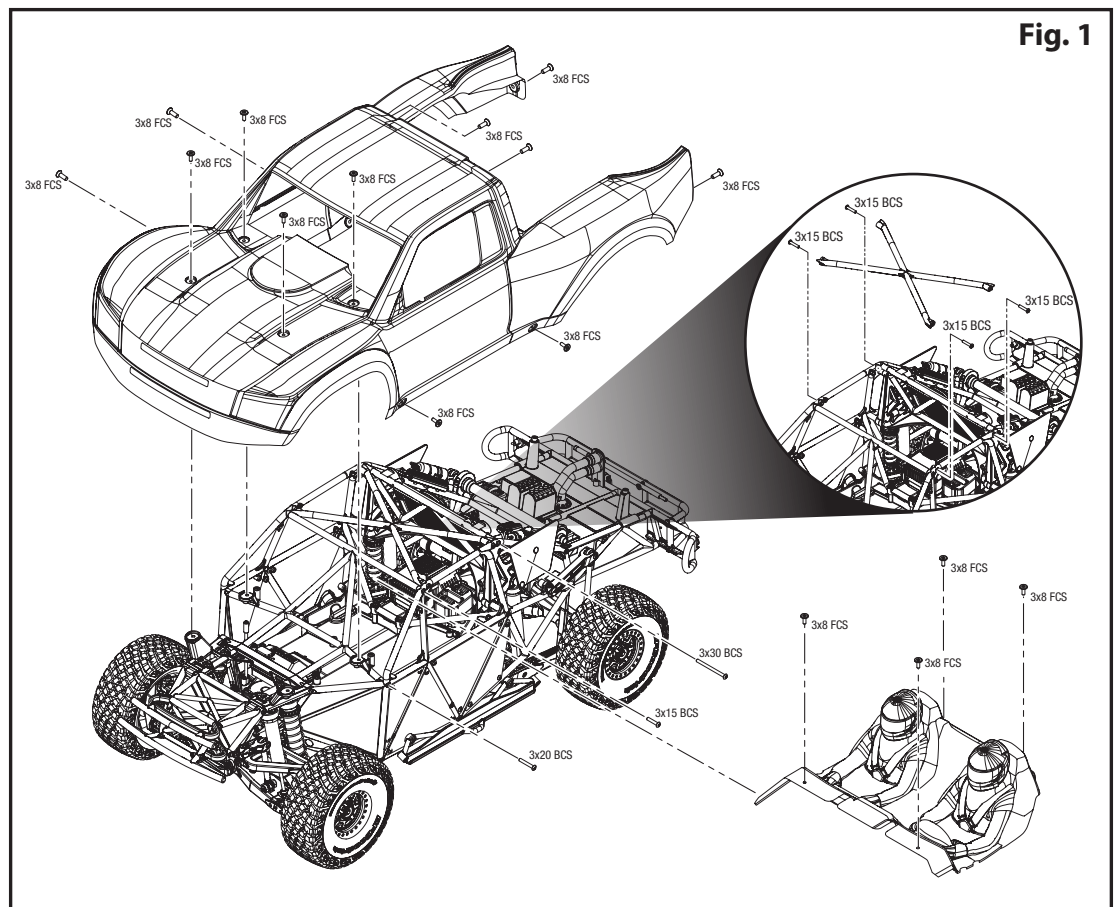
#8489 Kit Contents:

- 2-in-1 wire harness



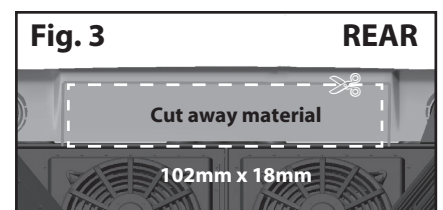
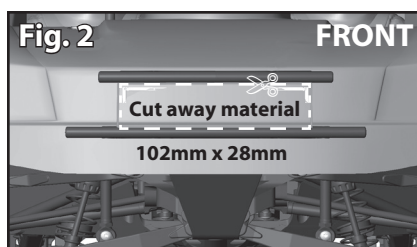
Vehicle Body and Body Interior Removal (Fig. 1):

1. Remove the 3x8mm flat-head screws (12) from the vehicle body and remove the body from the chassis.
2. Remove the 3x15mm button-head screws (4) from both sides of the center "X" roof support brace and remove the brace.
3. Remove the 3x15mm button-head screw, 3x20mm button-head screw, and 3x30mm button-head screw from the left side (driver side) of the tube chassis to allow removal of the body interior.
4. Remove the 3x8 flat-head screws from the body interior (4) and remove the interior from the chassis.



Body modification (Fig. 2 and 3):

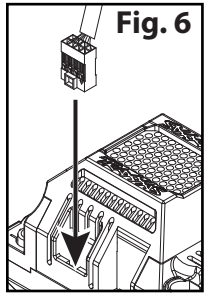
If either the front grill LED light bar (#8486) or the rear LED light bar (#8487) are being installed, the vehicle body will need modification. Use Lexan® body scissors to cut out the section(s) as indicated. Templates are provided at the bottom of page 3.



CAUTION! To prevent damage to the electronic speed control (ESC) and/or the high-voltage power amplifier, ensure the batter(ies) are disconnected before plugging the amplifier into the ESC.

High-Voltage Power Amplifier Installation:

1. Install the high-voltage power amplifier (A) on the left side of the vehicle chassis (two screw bosses on top of the battery compartment). Ensure that the connectors on the amplifier face the front of the vehicle. Secure with the 3x12mm button-head screws (2). Refer to the assembly diagram (Fig. 4) and wiring diagram (Fig. 7).
2. Remove the 3x25mm button-head screws (2) from the electronic speed control (ESC) to remove the cooling fan cover (Fig 5).
3. Remove the accessory port cover (Fig. 5); then, reinstall the cooling fan cover on the ESC using the 3x25mm button-head screws. Be careful not to pinch the ESC wires during reinstallation.
4. Plug the 8-pin connector from the high-voltage power amplifier into the accessory port on the ESC (Fig. 6). The amplifier and lights will turn on when the ESC is powered on.



LED Light Bar Installation:

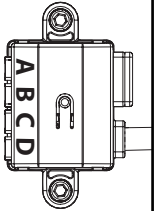
1. Install the LED light kits; refer to the assembly diagram (Fig. 4) and wiring diagram (Fig. 8).
2. The front grill LED light bar mounts (B) install using the included hardware.
3. The front grill LED light bar(s) (C), windshield LED light bar (D), and rear LED light bar (E) install as assemblies using the included hardware.

Note: A second front grill LED light bar can be installed and connected using the 2-in-1 wire harness (part #8489). Two front grill LED light bars and the 2-in-1 harness are included with the complete kit #8485.

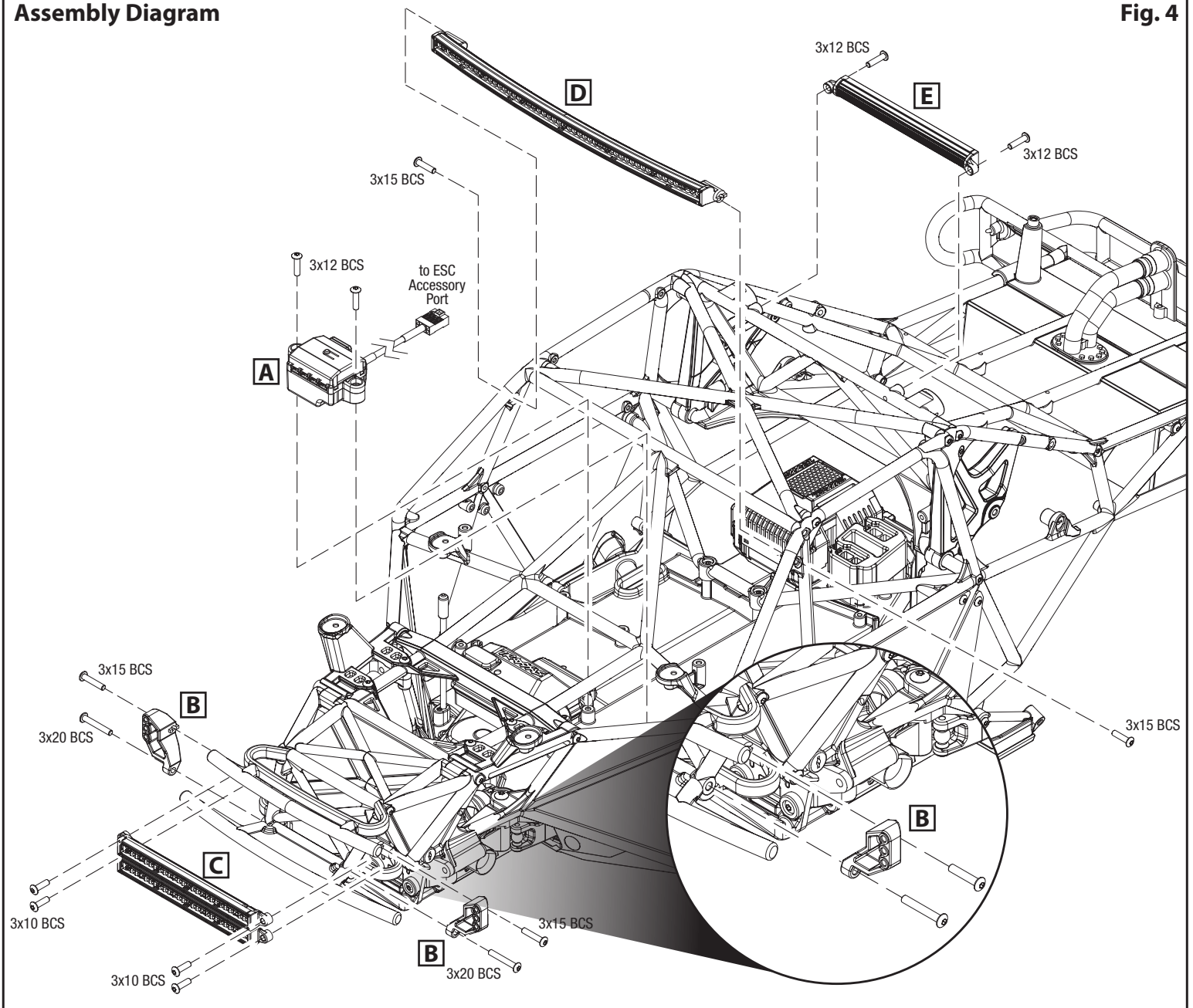
4. Plug the LED light bar connectors into the high-voltage power amplifier ports (white connector to A, yellow connector to B, red connector to C, blue connector to D) (Fig. 7).
5. Use the supplied zip ties to secure all wiring to the tube chassis.

High-Voltage Power Amplifier Connection Ports Fig. 7

Front Grill LED Light Bar (white)
 Windshield LED Light Bar (yellow)
 Rear LED Light Bar (tail lights) (red)
 Rear LED Light Bar (class lights) (blue)



Assembly Diagram



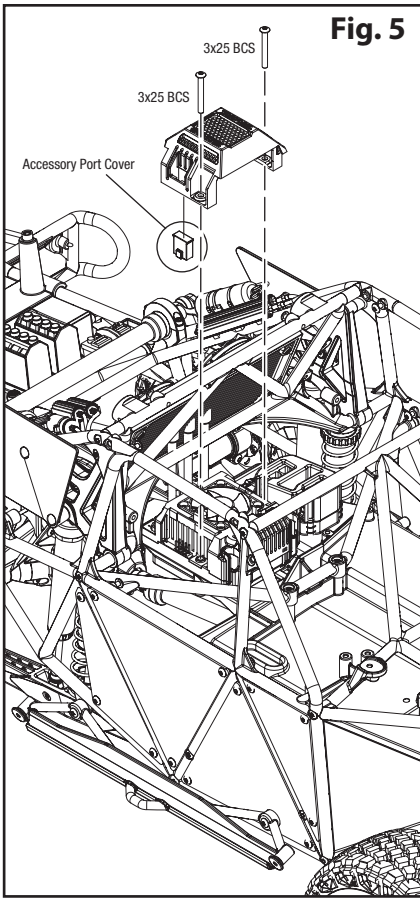


Fig. 5

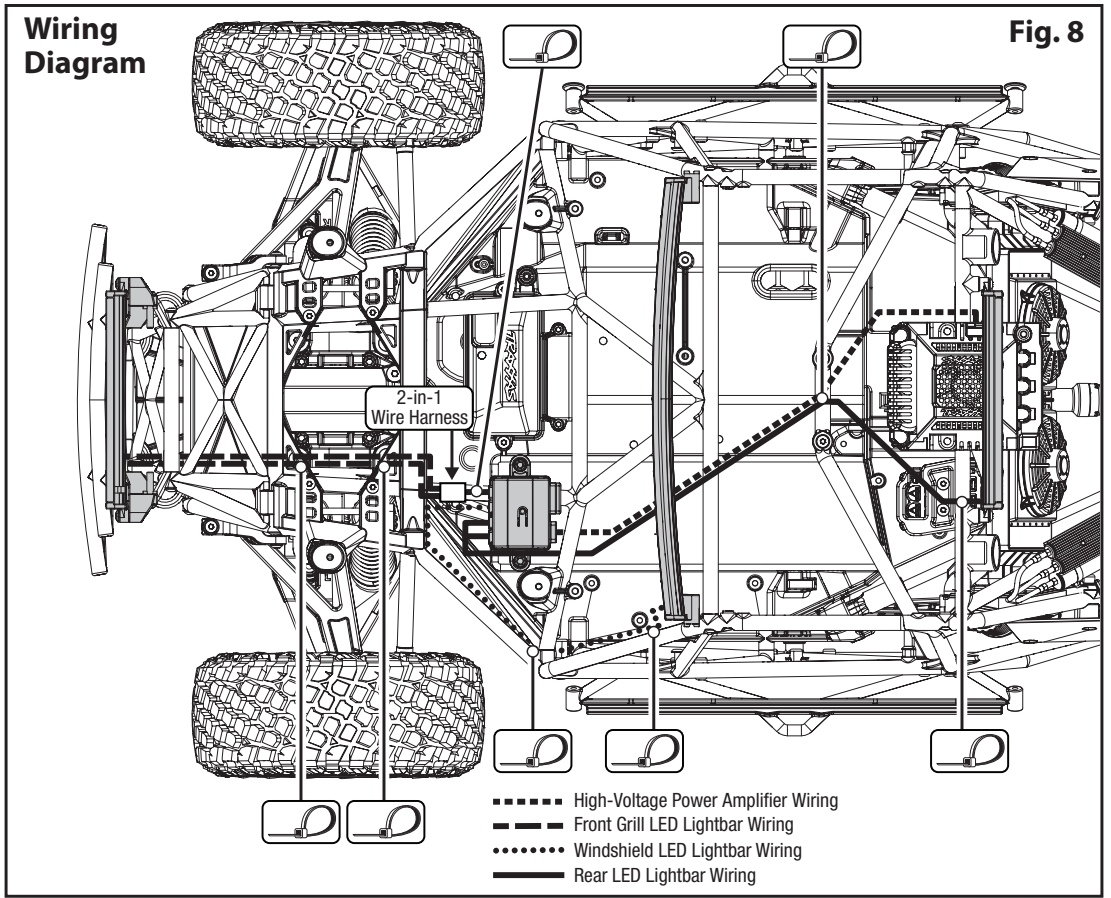


Fig. 8

High-Voltage Power Amplifier Operation

Default Setting: Low Beam Mode

Connector	Channel	Default Connection	Default Setting
A	1	Front Grill Low Beam Headlights	On
	2	Front Grill High Beam Headlights	Off
B	3	Low Beam Windshield Lights	On
	4	High Beam Windshield Lights	Off
C	5	Tail Lights	On*
	6	Brake Lights	On when braking
D	7	Class Lights	On
	8	Not used	N/A



Change the high-voltage power amplifier settings and gain access to additional functions using the Traxxas Link App (available in the Apple App StoreSM or on Google PlayTM). The TQi transmitter with the Traxxas Link Wireless Module (part #6511, sold separately) are required.

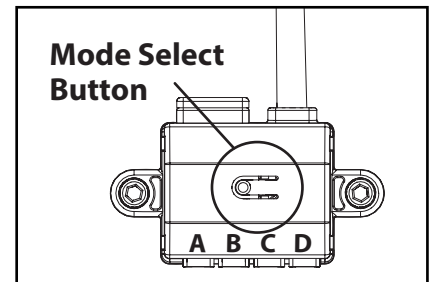
This device complies with FCC Part 15 & IC RSS-210 rules subject to the following conditions: (1) This device may not cause harmful interference, and (2) This device must accept all interference received, including interference that may cause undesired operation.
App Store is a service mark of Apple Inc. Google Play is a trademark of Google Inc.

*To race the truck without tail lights, disconnect the in-line connector on the rear LED light bar wire harness.

High-Voltage Power Amplifier Mode Selection

Use the Mode Select button on the high-voltage power amplifier to toggle through the different lighting modes (from Low Beam Mode to High Beam Mode to Daytime Mode).

Connector	Channel	Default Connection	Low Beam Mode	High Beam Mode	Daytime Mode
A	1	Front Grill Low Beam Headlights	On	Off	Off
	2	Front Grill High Beam Headlights	Off	On	Off
B	3	Low Beam Windshield Lights	On	Off	Off
	4	High Beam Windshield Lights	Off	On	Off
C	5	Tail Lights	On	On	Off
	6	Brake Lights	On when braking	On when braking	On when braking
D	7	Class Lights	On	On	On
	8	Not used	N/A	N/A	N/A



FRONT GRILL LIGHT BAR



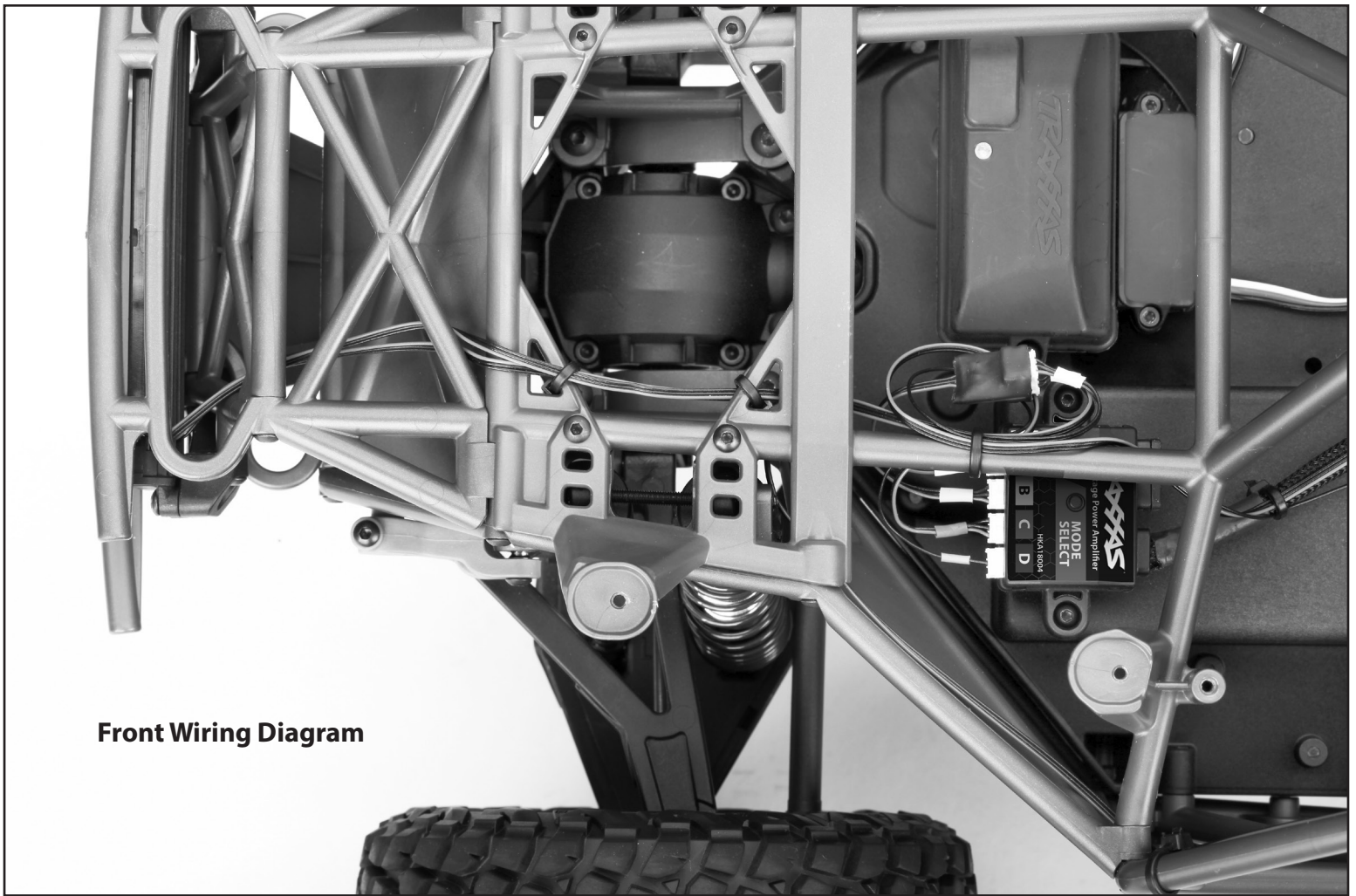
TEMPLATE



REAR LIGHT BAR



TEMPLATE



Front Wiring Diagram



Front Grill LED Light Bars installed



Rear LED Light Bar installed

Warranty Information

Traxxas electronic components are warranted to be free from defects in materials and workmanship for a period of 30 days from the date of purchase.

Limitations: Any and all warranty coverage does not cover replacement of parts and components damaged by abuse, neglect, improper or unreasonable use, crash damage, water or excessive moisture, chemical damage, improper or infrequent maintenance, accident, unauthorized alteration or modification or items that are considered consumable. Traxxas will not pay for the cost of shipping or transportation of a defective component to us.

Traxxas Lifetime Electronics Warranty

After the expiration date of the warranty period, Traxxas will repair electronic components for a flat rate. Please visit Traxxas.com/support for a current schedule of warranty costs and fees. The covered repairs are limited to non-mechanical components that have NOT been subjected to abuse, misuse, or neglect. Products damaged by intentional abuse, misuse, or neglect may be subject to additional charges. Traxxas liability, in no case, shall be greater than the actual purchase price of this product. For replacement, product must be returned in brand new condition, with packaging and itemized sales receipt.

If you have questions or need technical assistance, call Traxxas at

1-888-TRAXXAS

(1-888-872-9927) (U.S. residents only)